

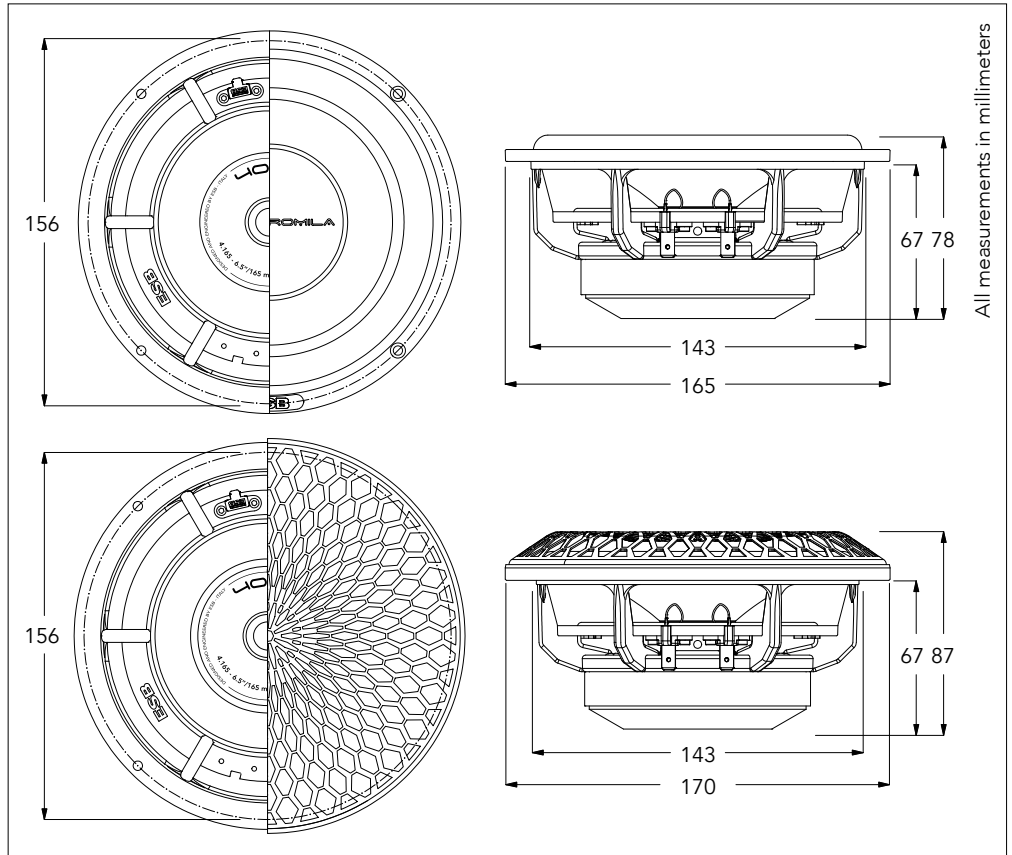
Speaker Type: Component Mid-Woofer
 Nominal Diameter: 6.5"/165 mm
 Nominal Impedance (Znom): 4 Ohms
 Continuous Power Handling: 150 W
 Peak Power Handling: 300 W
 Rec. Amplifier Power: 60 - 225W (RMS)

PARAMETERS

Voice Coil Resistance (Re): 2.91 Ohms
 Voice Coil Diameter: 32.5 mm
 Free Air Resonance (Fs): 57.3 Hz
 Reference Efficiency (no): 0,36 %
 Sensitivity: 89.5 dB @ 1W/1m
 92.5 dB @ 2.83V/1m
 Electrical "Q" (Qes): 0.625
 Mechanical "Q" (Qms): 4.403
 Total Speaker "Q" (Qts): 0.547
 Equivalent Compliance (Vas): 12.55 lt
 Moving Mass (Mms): 15.3 g
 Mech. Compliance (Cms): 0.504 mm/N
 Magnetic Strength (BL): 5.065 N/A
 Effective Piston Area (Sd): 132.73 sq. cm
 One-Way Linear Excursion (Xmax): 4.5 mm

DESIGN BANDWIDTH

With 48 dB/oct. HP filters: 60 Hz - 6 KHz
 With 24 dB/oct. HP filters: 70 Hz - 6 KHz
 With 12 dB/oct. HP filters: 80 Hz - 6 KHz



All measurements in millimeters

