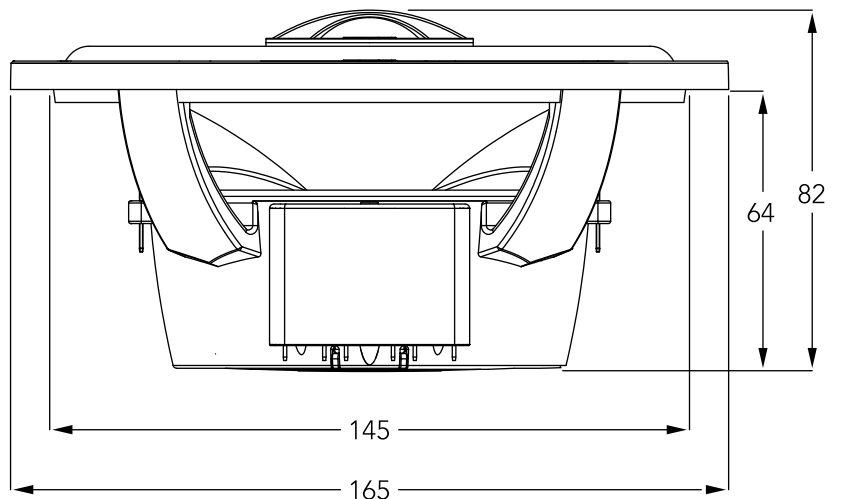
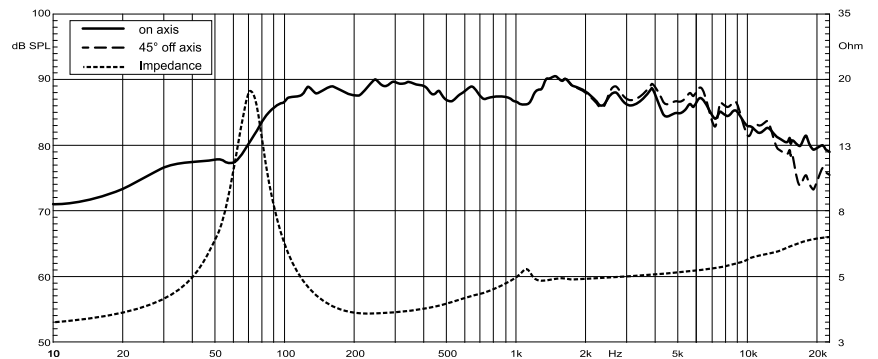


- FEA motor optimized
- 25 mm copper/aluminum voice coil
- High temperature aluminum former
- Large high grade ferrite magnet woofer
- N42 neodymium magnet tweeter
- Axial forced coil ventilation
- Fiber reinforced paper cone woofer
- Hi module silk dome tweeter
- Oversized single wave rubber suspension
- Poly cotton spider
- Computer designed ABS frame
- Motor metal part CNC machined



ABS basket reinforced with fiberglass. The basket has been engineered in order to obtain the maximum in terms of torsional rigidity (bending), but at the same time offer the minimum resistance to the passage of air. Pressed paper cone (woofer) with waterproof treatment. It is widely recognized that cones made of paper are the best marriage of lightness, stiffness and the ability of the cone to dampen any unwanted vibration (read: distortion). High damping single wave rubber surround. The edge is much more stable when the temperature changes than the classic rubber. The 25 mm voice coil uses an aluminum support and a winding with a double layer technology of copper wire with an aluminum core. High grade ferrite magnet (woofer), and N42 neodymium magnet (tweeter) with significantly higher performance than the classic "standard" ones.

| SPECIFICATIONS | | | |
|--|--------------------------------------|-------------|--------|
| Technical Characteristics | Symbol | Value | Units |
| SYSTEM GENERAL DATA | | | |
| Overall Dimension | D x h | 165x 82 | mm |
| Nominal Power Handling (AES)* | P | 120 | W |
| Transient Power * | Pp | 240 | W |
| Sensitivity 1W/1m | SPL | 88.5 | dB SPL |
| Frequency Response | | 65 - 25.000 | Hz |
| Nominal Impedance | Z | 4 | Ω |
| Woofer cone Material | Fiber reinforced high strength paper | | |
| Tweeter dome Material | High module silk | | |
| *Nominal and Transient power @ High Pass 80Hz - 12db/Oct | | | |
| WOOFER VOICE COIL AND MAGNET PARAMETERS | | | |
| Voice Coil Diameter | Dia | 25 | mm |
| Magnet System | Ferrite Y-35 | | |
| BL Product | BxL | 4.39 | Na |
| TWEETER VOICE COIL AND MAGNET PARAMETERS | | | |
| Voice Coil Diameter | Dia | 25.4 | mm |
| Magnet System | Neodymium N-42H | | |
| BL Product | BxL | 2.3 | Na |
| WOOFER T&S PARAMETERS | | | |
| DC Resistance | Ω | 3.11 | Ω |
| Suspension Compliance | Cms | 0.516 | N/m |
| Mechanical Q Factor | Qms | 3.026 | |
| Electrical Q Factor | Qes | 0.766 | |
| Total Q Factor | Qts | 0.611 | |
| Moving Mass | mms | 11.63 | g |
| Eq. Comp. Air Load | VAS | 13.93 | l |
| Resonance Frequency | Fs | 64.98 | Hz |
| TWEETER T&S PARAMETERS | | | |
| DC Resistance | Ω | 3.71 | Ω |
| Mechanical Q Factor | Qms | 1.129 | |
| Electrical Q Factor | Qes | 1.686 | |
| Total Q Factor | Qts | 0.676 | |
| Resonance Frequency | Fs | 1300 | Hz |



All measurements in millimeters