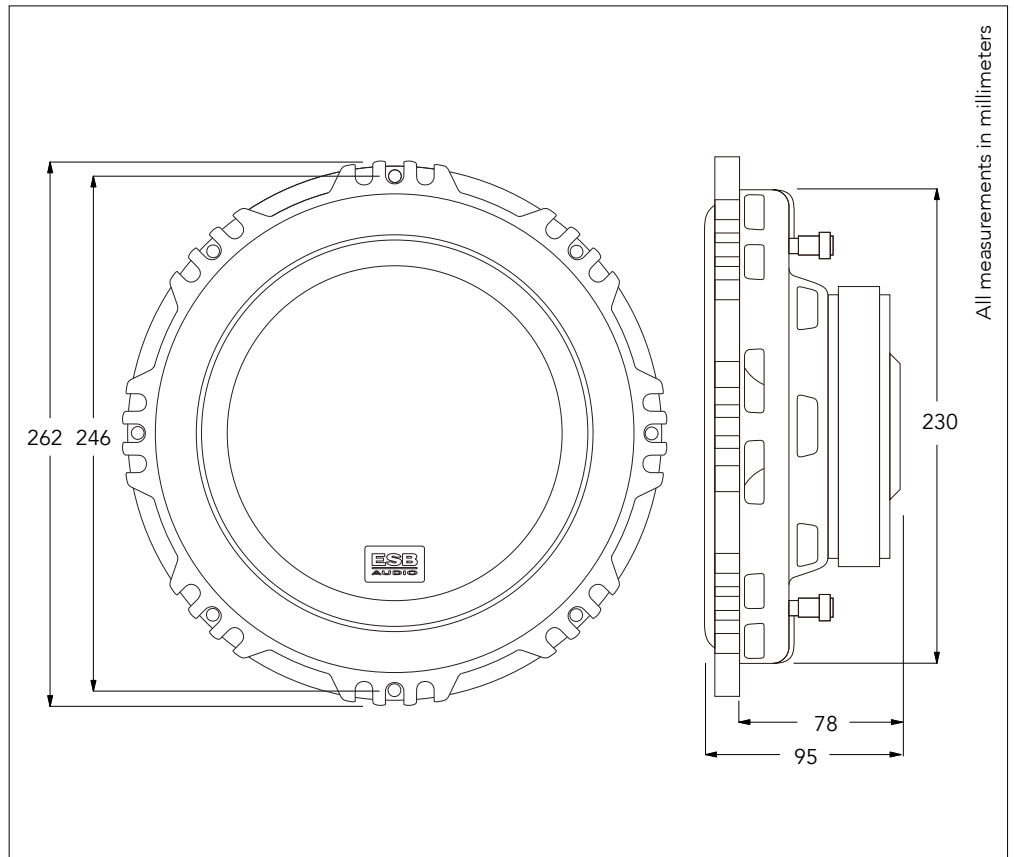


Speaker Type: Component Subwoofer
 Nominal Diameter: 10"/250 mm
 Nominal Impedance (Znom):
 1.10SD4: 4+4 Ohms / 1.10SD2: 2+2 Ohms
 Continuous Power Handling: 250 W
 Peak Power Handling: 500 W
 Rec. Amplifier Power: 100 - 250W (RMS)

PARAMETERS 1.10SD4 / 1.10SD2

Voice Coil Resistance (Re): 1.8 / 1 Ohms
 Voice Coil Diameter: 2"/51 mm
 Free Air Resonance (Fs): 34.2 Hz / 34.6 Hz
 Electrical "Q" (Qes): 0.89 / 0.72
 Mechanical "Q" (Qms): 5.42 / 4.58
 Total Speaker "Q" (Qts): 0.76 / 0.62
 Equivalent Compliance (Vas): 27.6 / 26.8 lt
 Moving Mass (Mms): 124.1 / 127.5 g
 Mech. Compliance (Cms): 0.17 mm/N
 Mech. Resistance (Kg/s): 5.0 / 6.1
 Effective Piston Area (Sd): 338.1 sq. cm
 VC Inductance (@1KHz): 0.5 / 0.3 mH



RECOMMENDED SEALED ENCLOSURE

Net Volume:
1.10SD4/D2: 0.42 ft³ / 12 lit.

External Dimensions:
1.10SD4/D2: 470 × 350 × 130 mm

Material Thickness: 0.7"/18 mm. Less thickness may compromise box rigidity with leak bass response. Add inside damping material for about 75% of the volume.

