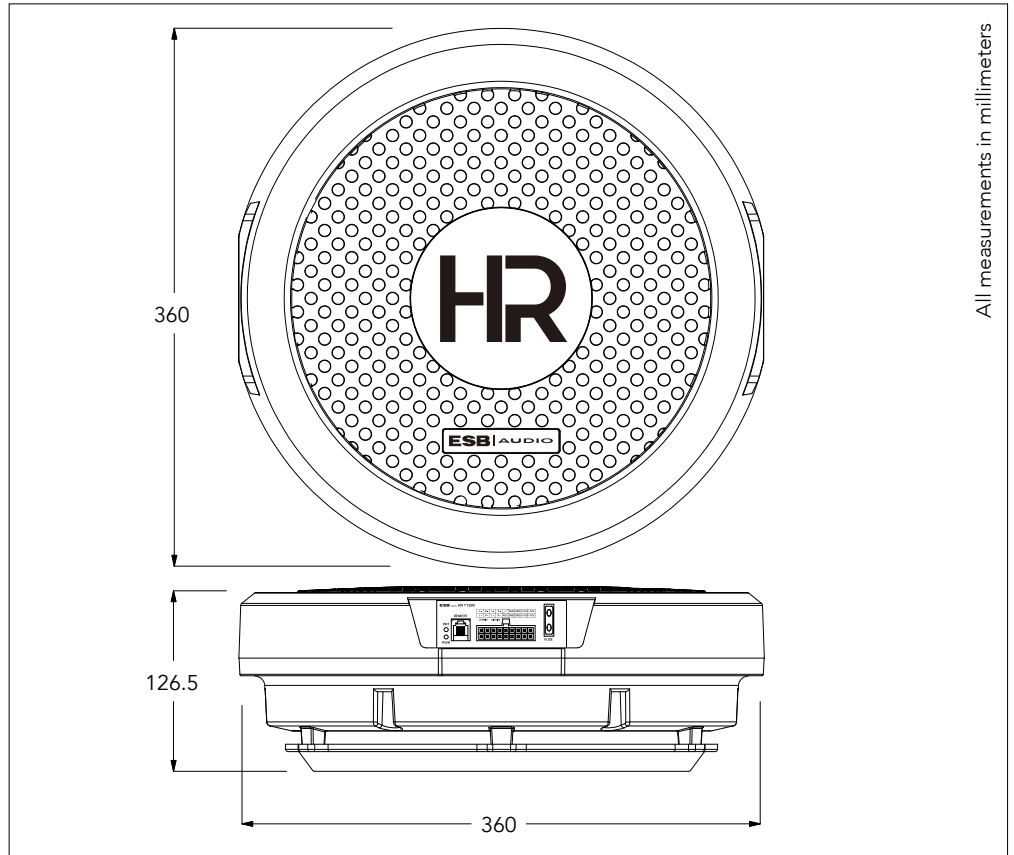


- Easy Spare Wheel Installation
- Power: 400 W (Max), 200 W (RMS)
- Amplifier Class: D
- Low Level and High-Level Inputs
- Variable Gain Control
- Low Pass Filter
- Variable Bass Boost
- Phase Control
- Remote Control

PARAMETERS

- S/N Ratio: 92dB
- THD (1W): 0.03%
- Frequency Response: 30Hz - 160Hz
- Operating Voltage: 14.4V
- Low-Pass Filter: 50Hz - 150Hz
- Bass Boost: 0 - 12dB
- Phase Switch: 0 - 180°
- Magnet Type: Ferrite
- Enclosure Housing: Aluminum
- Remote Control: Wired



All measurements in millimeters

CONTROL PANEL AND REMOTE CONTROL

