

FEA motor optimized
 25 mm voice coil diameter
 Copper and aluminum voice coil
 Aluminum former
 Large ferrite magnet
 CELEMP™ exponential cone
 ABS housing with self damping system
 Rubber surround
 Cotton progressive spider
 Computer optimized design
 Motor metal parts CNC machined



Magnet motor is optimized with FEA simulation to ensure a perfectly symmetrical magnetic flux in both directions of movement of the cone.

Metal parts machined from solid metal and refined with CNC machining for maximum magnetic flux linearity and minimum magnetic loss, this reduces distortion at high power levels.

25 mm CCAW (Copper Clad Aluminum Wire) double layer voice coil wound on a aluminum former for exceptional power handling and compression-free reproduction of even the most demanding musical passages.

Exponential cone built with a composite of cellulose pulp and hemp fiber (CELEMP™), it ensures a perfect balance between rigidity and weight. The cellulose pulp ensures an extremely natural and fluid reproduction in all musical passages, with an excellent extension at high frequencies without audible break-up.

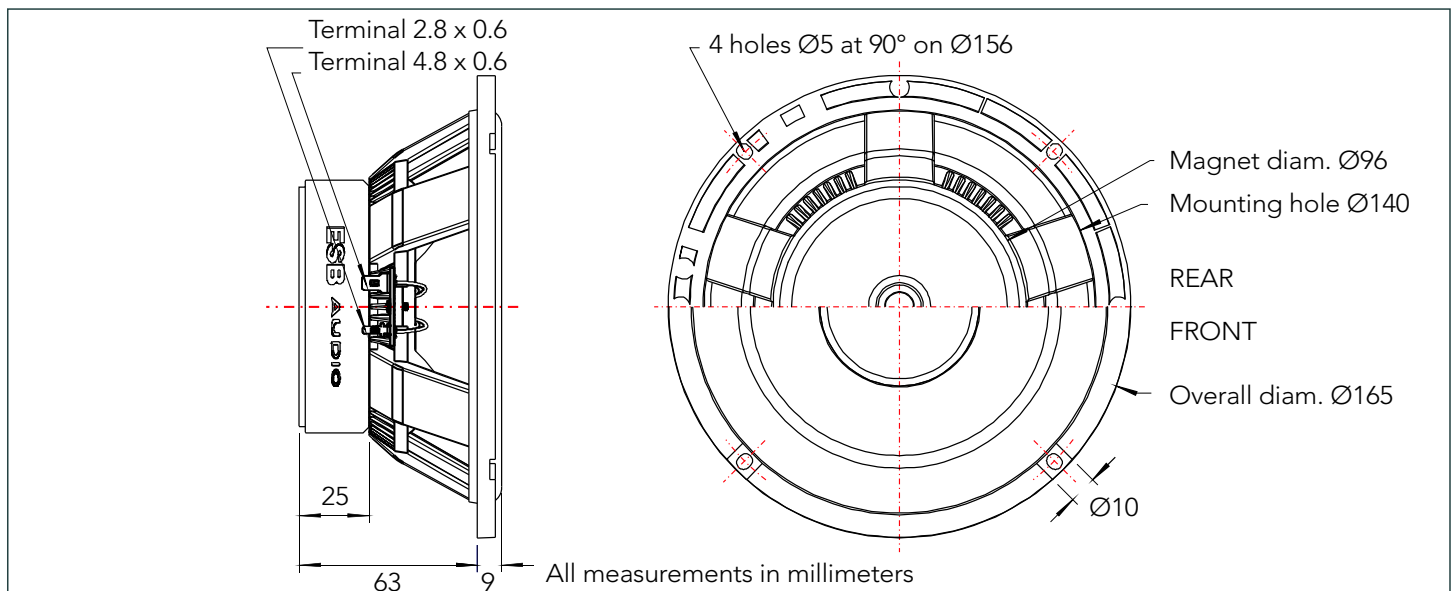
The five spoke anti-resonant and self-extinguishing ABS basket ensures a drastic reduction of the cone's back reflections.

High structural and torsional rigidity are a goal for perfect parts alignment, this need a very low tolerance construction and assembling system, it means a better efficiency, more power handling and less distortion.

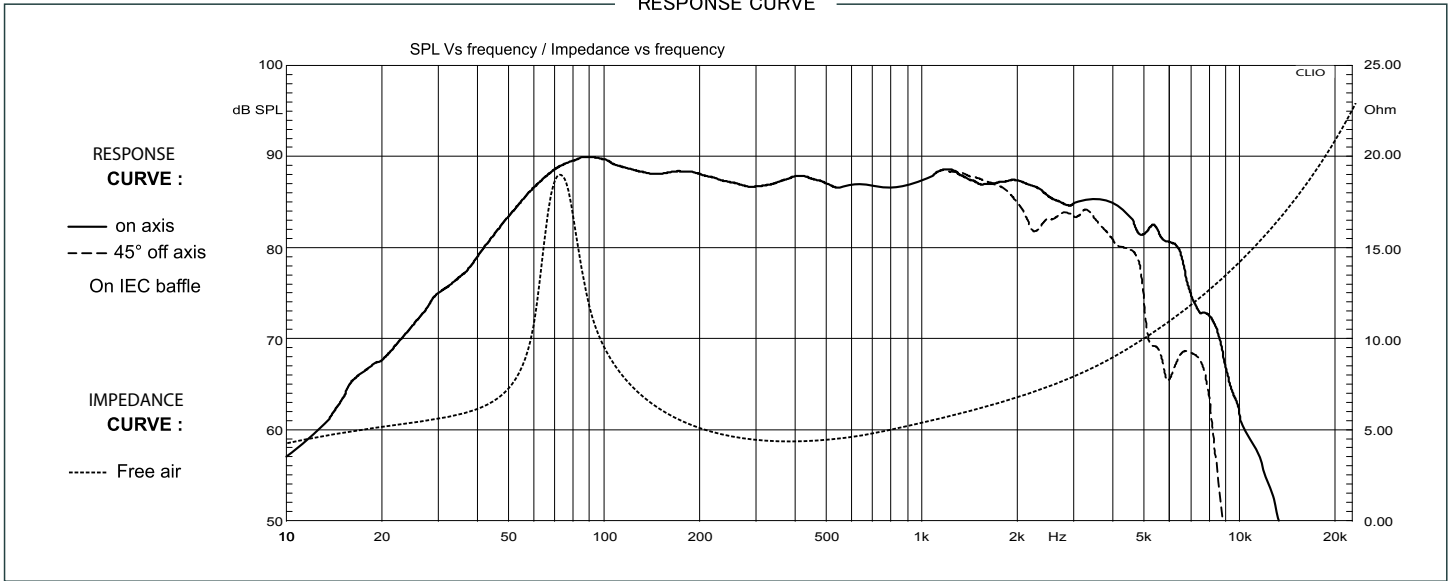
The exclusive rubber surround offers maximum linearity of travel and high reliability in extreme conditions.

The radial ventilation system ensures high thermal dissipation capacity, for power and reliability.

Large cotton spider allows a smooth and gentle run at low excursions, and gently holds the cone at high excursions, this increases the useful range of use.



RESPONSE CURVE



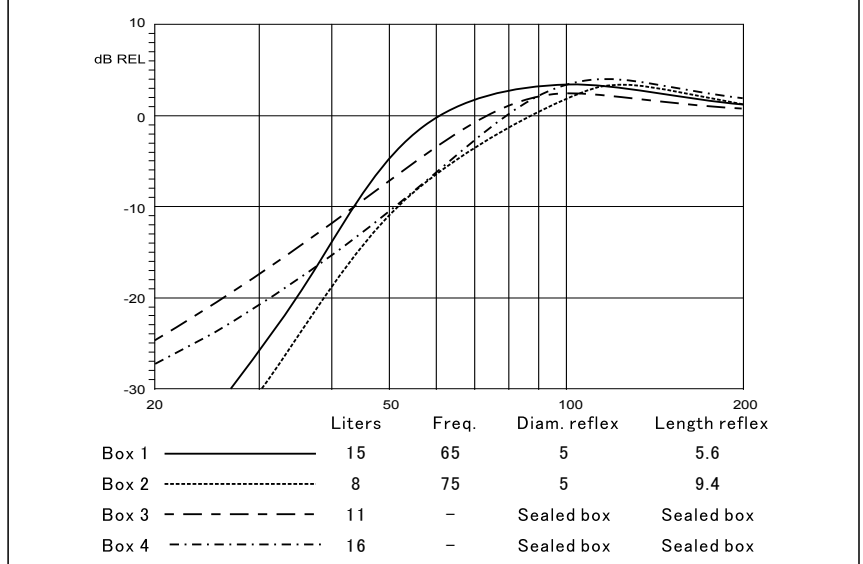
SPECIFICATIONS

Technical Characteristics	Symbol	Value	Units
GENERAL DATA			
Overall Dimension	D x h	164 x 63	mm
Nominal Power Handling (AES)*	P	120	W
Transient Power *	Pp	240	W
Sensivity 1W/1m	SPL	89	dB SPL
Frequency Response		48 - 5.500	Hz
Cone Material		Pressed-pulp cone with hemp fibres	
Net Weight		875	g
*Nominal and Transient power @ High Pass 80Hz - 12db/Oct			
ELECTRICAL DATA			
Nominal Impedance	Z	4	Ω
DC Resistance	Ω	3.3	Ω
Voice coil Inductance	Lbm	0.37	μH
VOICE COIL AND MAGNET PARAMETERS			
Voice Coil Diameter	Dia	25	mm
Voice coil Height	h	10	mm
Magnetic Gap Height	HE	5.0	mm
Max Linear excursion	Xmax	± 5.0	mm
Voice Coil Former		Aluminum	
Number of layers	n	2	
Magnet System		Ferrite Y30 grade	
Efficiency	η°	0.25	%
BL Product	BxL	4.95	Na
Magnet dimension	∅ x ∅ x h	85x45x15	mm
Magnet weight	m	245	g
T&S PARAMETERS			
Suspension Compliance	Cms	0.3	N/m
Mechanical Q Factor	Qms	4.0	
Electrical Q Factor	Qes	0.9	
Total Q Factor	Qts	0.7	
Mechanical Resistance	Rms	1.6	Ω
Moving Mass	mms	14.3	g
Eq. Comp. Air Load	VAS	7.4	l
Resonance Frequency	Fs	75.2	Hz
Effective Piston Area	SD	131	cm ²

CROSSOVER VALUE

Fc	Crossover frequency	Hz
L	Inductor	mH
C	Capacitor	μF
R	Resistance	Ω
S	Crossover Slope	dB/Oct

SEALED AND PORTED SUGGESTED VOLUME



SUGGESTED APPLICATION

