



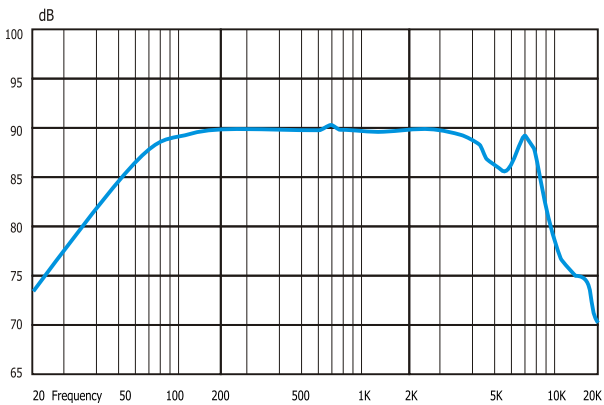
Technical Specifications

▶ Type:	Midrange - 100 mm
Nominal Impedance:	4 Ohm
Power RMS:	100 Watt
Max Power:	160 Watt
Frequency Response:	90 Hz ~ 4.3 KHz
Sensitivity:	89 dB 1W/1m

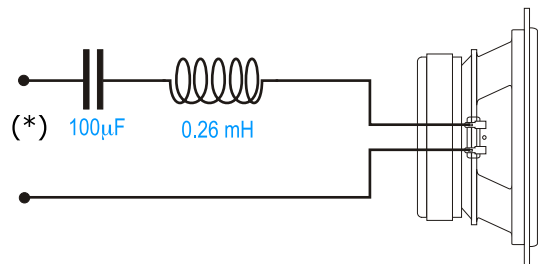
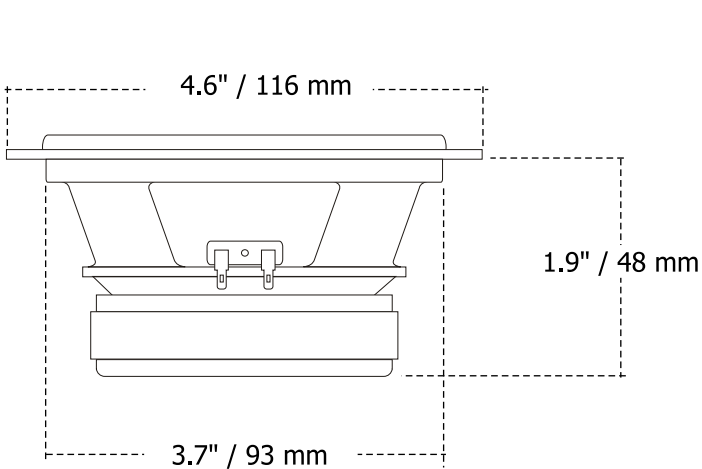
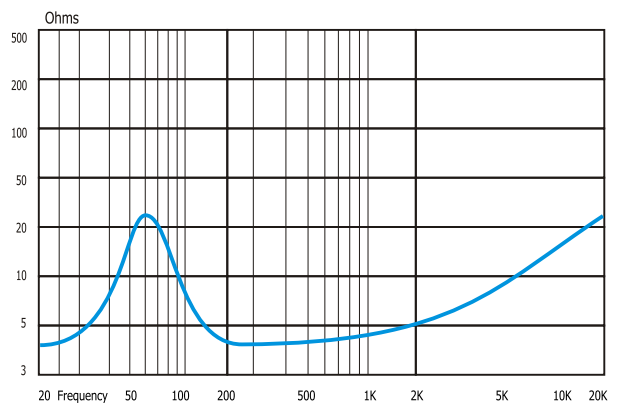
T & S Parameters

▶ Re:	3.0 Ohm
Fs:	89 Hz
Qms:	2.445
Qts:	0.563
Qes:	0.731
Mms:	5.711 g.
Cms:	0.558 mm/N
Sd:	56.7 cm ²
VAS:	2.54 L.
Le:	0.121 mH
BxL:	3.62 T/m

Frequency response 1W/1m



Impedance Curve (Free-air)



(*) This filter is proper for use with medium-power amplifiers and filters between 250 Hz and 3 KHz. For use with high-power amplifiers it is preferable to use an electronic HP filter to 12 or 24 dB/Oct. to avoid the way down.