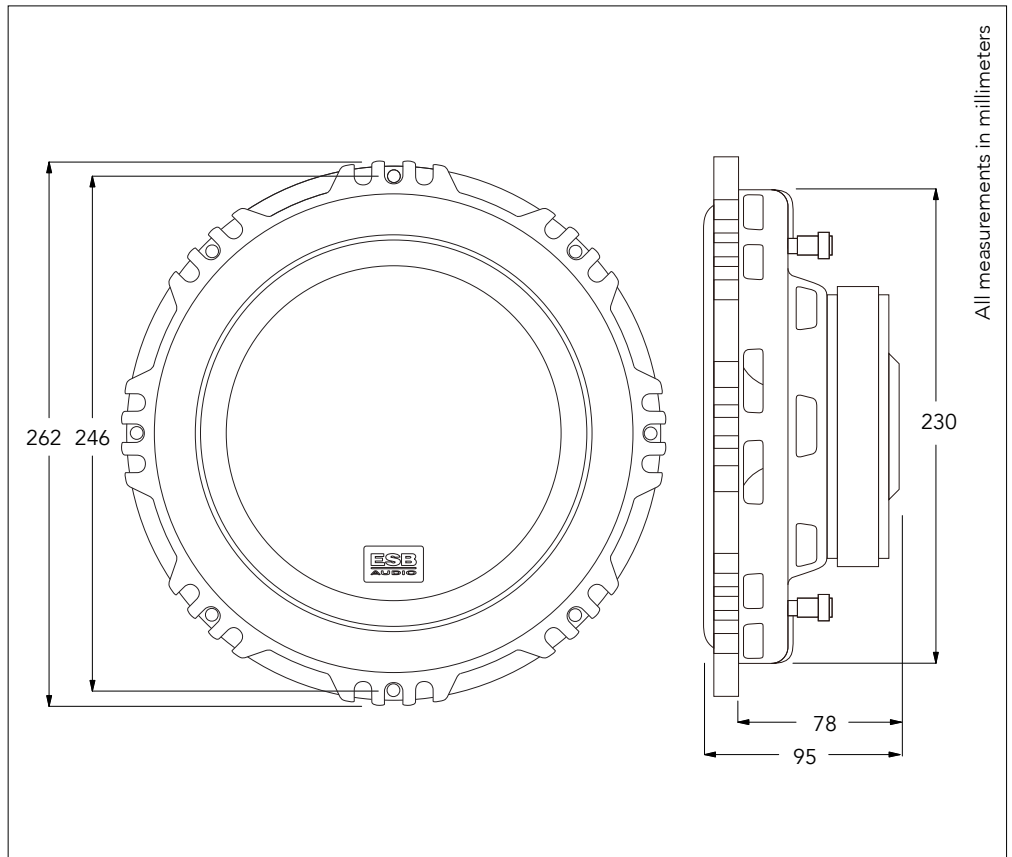


Speaker Type: Component Subwoofer
 Nominal Diameter: 10"/250 mm
 Nominal Impedance (Znom):
 1.10SD4: 4+4 Ohms / 1.10SD2: 2+2 Ohms
 Continuous Power Handling: 250 W
 Peak Power Handling: 500 W
 Rec. Amplifier Power: 100 - 250W (RMS)

PARAMETERS 1.10SD4 / 1.10SD2

Voice Coil Resistance (Re): 1.8 / 1 Ohms
 Voice Coil Diameter: 2.1"/53 mm
 Free Air Resonance (Fs): 34.2 Hz / 32.3 Hz
 Electrical "Q" (Qes): 0.69
 Mechanical "Q" (Qms): 5.36 / 5.69
 Total Speaker "Q" (Qts): 0.61
 Equivalent Compliance (Vas): 23.5 / 20.7 lt
 Moving Mass (Mms): 137.8 / 143.9 g
 Mech. Resistance (Kg/s): 5.0 / 6.1
 Magnetic Strength (BL): 8.65 / 6.98 N/A
 Effective Piston Area (Sd): 327 sq. cm
 VC Inductance (@1KHz): 0.87 / 0.54 mH
 Excursion (X Max): 6.5 mm



RECOMMENDED SEALED ENCLOSURE

Net Volume:
1.10SD4/D2: 0.78 ft³ / 22 lit.

External Dimensions:
1.10SD4/D2: 656 × 350 × 130 mm

Material Thickness: 0.7"/18 mm. Less thickness may compromise box rigidity with leak bass response. Add inside damping material for about 75% of the volume.

