

USER'S MANUAL

PRECAUTIONS

MAKE SURE THAT YOUR MOUNTING LOCATION WILL NOT CAUSE DAMAGE TO THE COMPONENTS OF YOUR VEHICLE. CHECK FOR AIRBAG SYSTEM LOCATION, SPEAKER CAN'T BE LOCATED OVER OR CLOSE IT. NEVER PLAY THIS COMPONENT WITHOUT CROSSOVER, ESPECIALLY WITH HIGH POWER, THIS CAN DAMAGE IT. NEVER PLAY THE SYSTEM WITH AMPLIFIER IN CLIPPING OR HIGH DISTORTION LEVEL.

FACTORY LOCATION

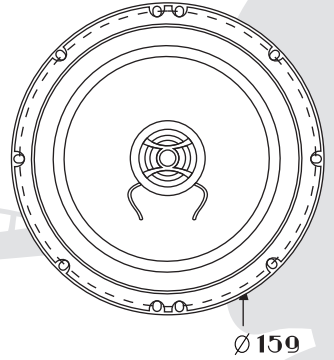
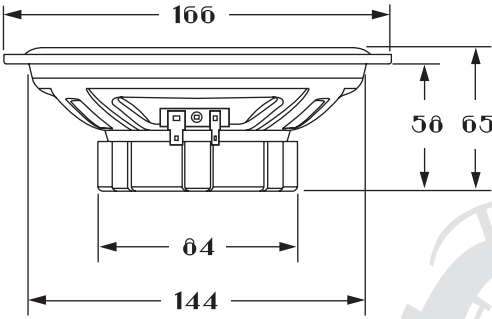
YOUR NEW SPEAKERS HAVE BEEN DESIGNED TO INSTALL INTO MOST VEHICLES THAT ACCEPT A 6.5"/165 MM SPEAKER. IT IS ABSOLUTELY VITAL THAT THE SPEAKER FRAME FITS INTO THE MOUNTING HOLE CLEANLY. DO NOT FORCE THE FRAME INTO A HOLE THAT IS TOO SMALL. DO NOT TIGHTEN THE SPEAKER ONTO AN UNEVEN MOUNTING SURFACE, THIS WILL DAMAGE IT. THE SPEAKER SHOULD ALSO FIT SO THAT AIR DOES NOT LEAK AROUND THE MOUNTING FLANGE.

MAIN FEATURES AND TECHNICAL SPECIFICATIONS

- PP CONE WITH RUBBER SURROUND (WOOFER)
- 25 MM (WOOFER), 14 MM (TWEETER) VOICE COILS
- 10 OZ FERRITE MAGNET (WOOFER)
- MYLAR DOME TWEETER
- NEODYMIUM MAGNET (TWEETER)
- SPEAKER SYSTEM POWER: 100 WATT PEAK (50 WATT RMS)
- SENSITIVITY: 66 DB (2.63V/1M)
- FREQUENCY RESPONSE: 65 HZ - 16000 HZ
- IMPEDANCE: 4 OHM

HARMONY
BLUE NOTE

HB1.6C
6.5" COAXIAL *SPEAKERS*



ALL MEASUREMENTS IN MILLIMETERS

