



Technical Specifications

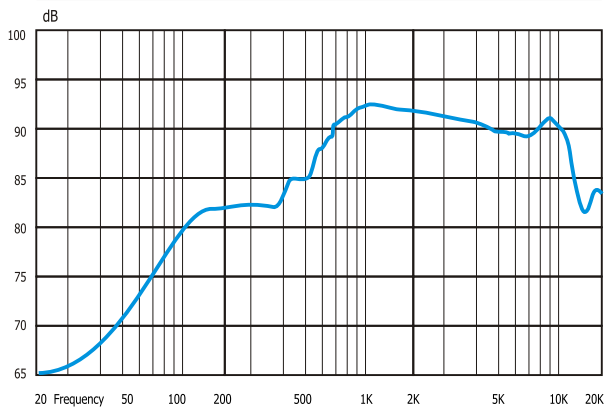
▶ Type:	Midrange - 50 mm
Nominal Impedance:	4 Ohm
Power RMS:	80 Watt *
Max Power:	140 Watt *
Frequency Response:	600 Hz ~ 7.5 KHz
Sensitivity:	93 dB 1W/1m

* 650 Hz 12dB/Oct.

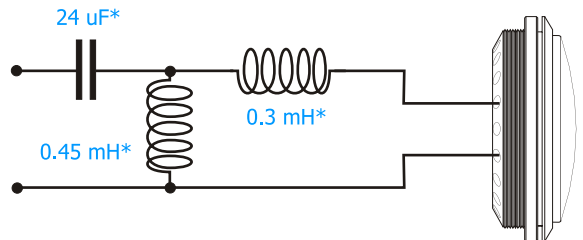
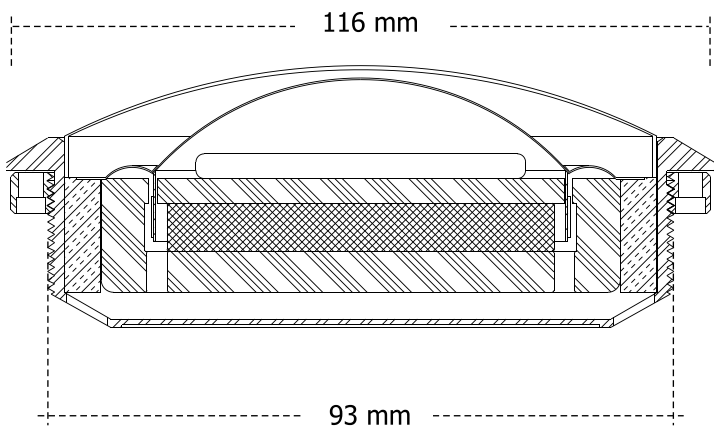
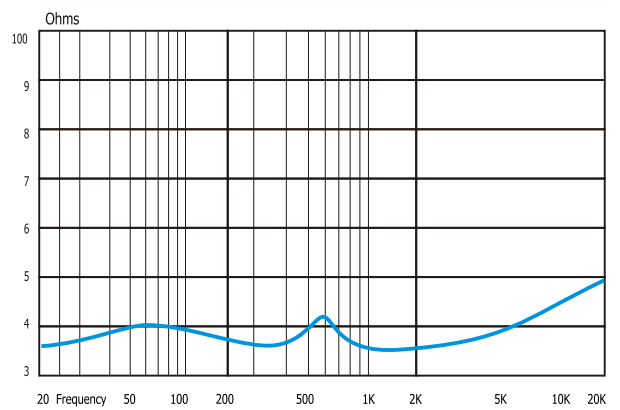
T & S Parameters

▶ Re:	3.6 Ohm
Fs:	620 Hz
Qms:	1.188
Qts:	0.331
Qes:	0.458
Mms:	2.712 g.
Cms:	0.406 mm/N
Sd:	20.4 cm ²
VAS:	0.237 L.
Le:	0.745 mH
BxL:	4.109 T/m

Frequency response 1W/1m



Impedance Curve (Free-air)



* This passive filter can be replaced with a 12 or 24dB/oct. electronic filter.